

Twin Impeller Cast Iron Jet Pumps

APM Series - Deep Well



The Speroni APM deep well jet pumps are built for applications where the water source suction lift is beyond 7 metres. The APM range is suitable for deep well, river or dam applications. European build quality ensures high performance in the toughest environments.



Applications

- Domestic rainwater supply
- Industrial water supply
- Stock water supply
- Dairy washdown
- Irrigation
- Water transfer
- Pressure boosting

Key Features

- Twin impeller design
- Robust cast iron pump casing
- 240V 1-phase IP55 motor - made in Italy
- Inbuilt thermal protection
- Deep well injector
- Plug and Play leads
- Available as a pressure system or as a standalone bare pump
- 2 year warranty

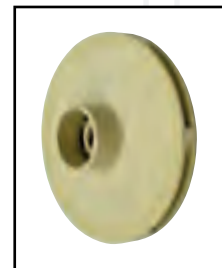
Materials of Construction

- Pump body: Cast iron
- Motor support: Cast iron
- Impellers: Noryl
- Ejector (P30): Cast iron
- Shaft with rotor: Stainless steel AISI 304
- Mechanical seal: Ceramic/Graphite/NBR

Operating Conditions

- Maximum liquid temperature: 35°C
- Ambient temperature: Up to 40°C
- Total suction lift: Up to 50mt
- Continuous duty

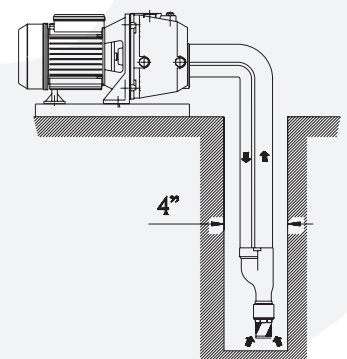
The APM cast iron jet pumps operate with a separate injector system that allows the pump to become a self-priming deep well pumping system. Placing the injector on the end of the suction pipe and installing a water recirculation pipe to the injector allows for water to be passed through the injector creating a venturi (suction) effect. This allows for enough pressure to be created and therefore, takes water back to the surface. The maximum suction lift created is 50 metres and a well diameter of at least 100mm (4") is required.



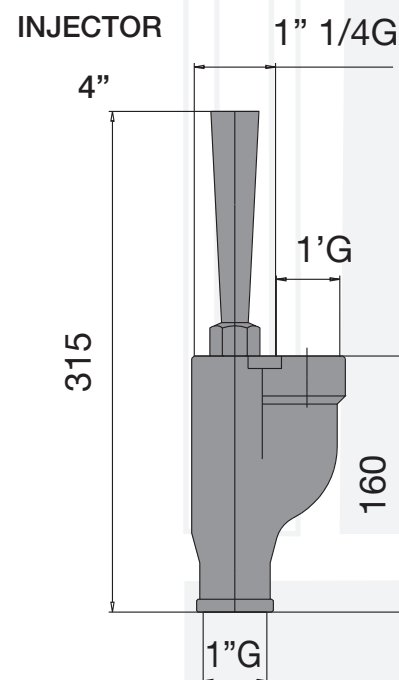
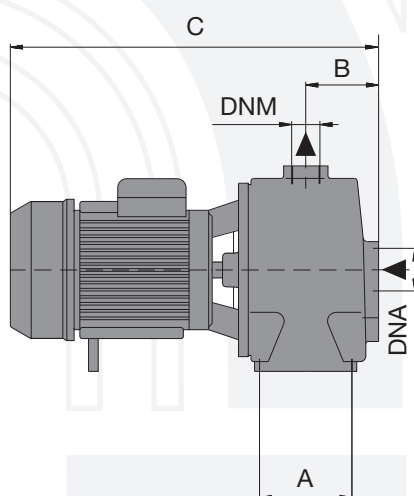
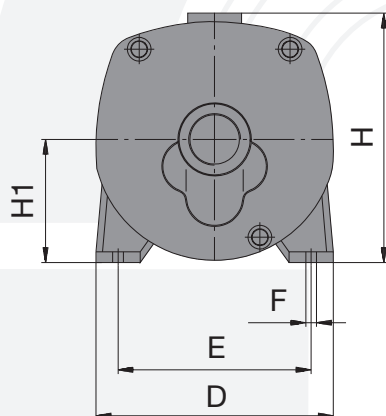
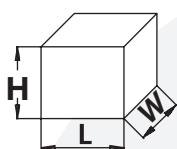
Motor

Twin Impeller

- Single-phase 240V-50Hz
- Two-Pole induction motor (2850 RPM)
- Insulation Class F
- Protection IP55



Model	Nominal Power		Input Power	Amps			Q = Capacity									
	P2		P1	Single-phase	Injector	Suction depth m	m ³ /h	0,18	0,36	0,6	0,9	1,2	1,5	1,8	2,1	
Single-phase	HP	kW	kW				lt/1'	3	6	10	15	20	25	30	35	
	Total head in meters w.c															
APM 150	1,5	1,1	1,5	7	P 20	15	H (m)	48	47	43	39	34,5	30,5	28,5	7,5	
						20		43	42	38	34	29,5	25,5	23,5	2,5	
						25		38	37	33	29	24,5	20,5	18,5		
						P 30		35	61	57	51	43	36,5	14,5		
								40	56	52	46	38	31,5	9,5		
								50	46	42	36	28	21,5			
APM 200	2	1,5	2	9,3	P 20	15	67	65	60	55	51,5	46,5	45,5			
						20	62	60	55	50	46,5	41,5	40,5			
						25	57	55	50	45	41,5	36,5	35,5			
					P 30	35	68	62	57	49	43,5	14,5				
						40	63	57	52	44	38,5	9,5				
						50	53	47	42	34	28,5					



Model	Dimensions mm										Dimensions mm			Weight Kg
	A	B	C	D	E	F	H	H1	DNA	DNM	W	L	H	
Single-phase	A	B	C	D	E	F	H	H1	DNA	DNM	W	L	H	Kg
APM 150	104	77	415	220	172	10	240	115	1" ¼	1"	236	500	275	27.9
APM 200	104	77	415	220	172	10	240	115	1" ¼	1"	236	500	275	29.5

Dealer Details

Shallow Well Cast Iron Jet Pumps

CA/CAM Series



The Speroni CA/CAM self-priming jet pumps are built for applications where the water source suction lift is up to 8 metres. The CAM range is suitable for tank, well, river or dam applications. European build quality ensures high performance in the toughest environments.



Materials of Construction

- Pump body: Cast iron
- Motor support: Cast iron
- Impeller: 304 Stainless Steel
- Diffuser: Noryl
- Shaft with rotor: Stainless steel AISI 304
- Mechanical seal: Ceramic/Graphite/NBR

Operating Conditions

- Maximum liquid temperature: 35°C
- Ambient temperature: Up to 40°C
- Total suction lift: Up to 8m
- Continuous duty



Impeller

Applications

- Domestic rainwater supply
- Industrial water supply
- Stock water supply
- Dairy washdown
- Irrigation
- Water transfer
- Pressure boosting

Key Features

- 304 Stainless Steel impeller
- Robust cast iron pump casing
- Single-phase or Three-phase IP55 motor - made in Italy
- Inbuilt thermal protection
- IP44 Pressure Switch fitted on both the Single-phase and Three-phase models
- Plug and Play leads
- Available as a pressure system or as a standalone bare pump
- 2 year warranty

Motor

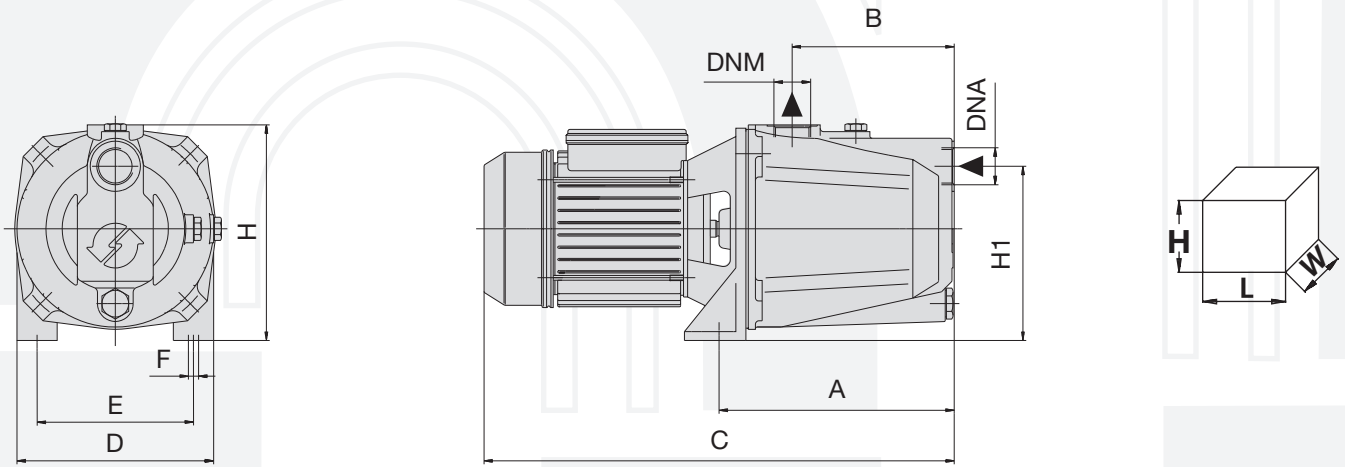
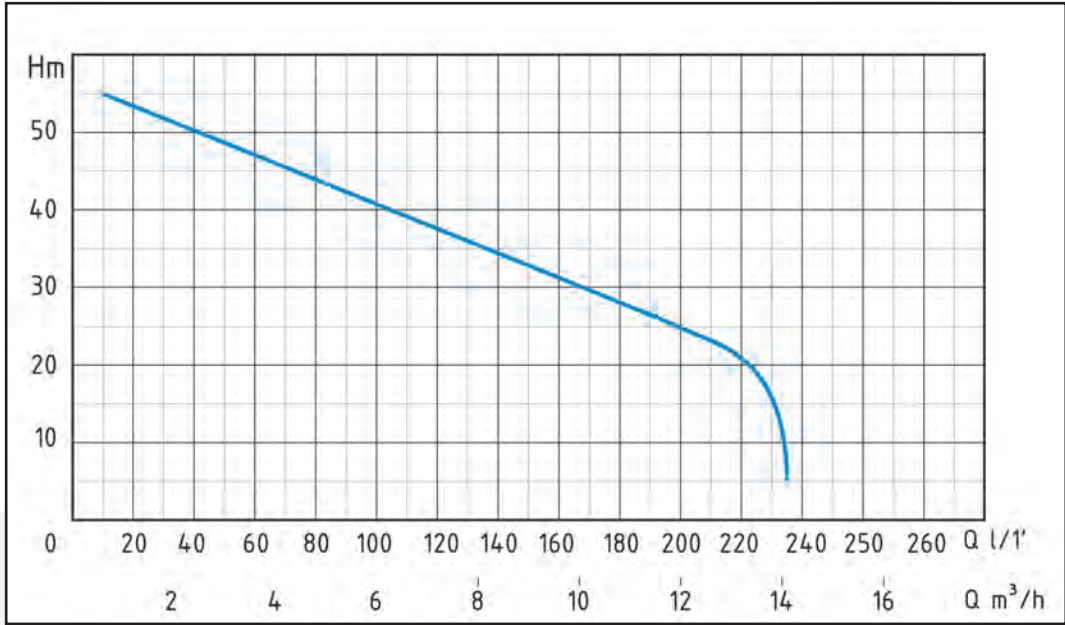
- Single-phase 240V-50Hz
- Three-phase 230/400-50Hz
- Two-Pole induction motor (2850 RPM)
- Insulation Class F
- Protection IP55

Also available as a pressure system

The CA/CAM302 Jet Pumps are available in both Single-phase and Three-phase models. Three-phase models are available as a standalone bare pump or as a pressure system with Three-phase pressure switch, pressure gauge and 5-way tee.



Model	Nominal Power		Input Power	Amps	Q = Capacity													
	P2				P1	Single-phase / Three-phase	m³/h	0,6	1,2	1,8	2,7	3,6	4,8	5,4	6	7,2	9	9,6
Single-phase / Three-phase	HP	kW	kW		lt/1'		10	20	30	45	60	80	90	100	120	150	160	200
CAM 302 / CA 302	3	2,2	3	13,5 / 5,2	Total head in meters w.c													
					H (m)	55	53	52	50	48	45	43	42	38	33	32	25	22



Model		Dimensions mm										Dimensions mm			Weight
Single-phase	Three-phase	A	B	C	D	E	F	H	H1	DNA	DNM	W	L	H	Kg
CAM 302	CA 302	290	174	570	225	166	12	230	183	1" ½	1" ¼	245	600	300	30

Dealer Details

Twin Impeller Cast Iron Jet Pumps

CAM Series - Shallow Well



The Speroni CAM self-priming jet pumps are built for applications where the water source suction lift is up to 9 metres. The CAM range is suitable for tank, well, river or dam applications. European build quality ensures high performance in the toughest environments.



Materials of Construction

- Pump body: Cast iron
- Motor support: Cast iron
- Impellers: Noryl
- Ejector (P30): Cast iron
- Shaft with rotor: Stainless steel AISI 304
- Mechanical seal: Ceramic/Graphite/NBR

Operating Conditions

- Maximum liquid temperature: 35°C
- Ambient temperature: Up to 40°C
- Total suction lift: Up to 9 mt
- Continuous duty

Motor

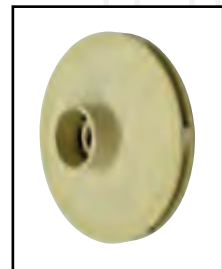
- Single-phase 240V-50Hz
- Two-Pole induction motor (2850 RPM)
- Insulation Class F
- Protection IP 55

Applications

- Domestic rainwater supply
- Industrial water supply
- Stock water supply
- Dairy washdown
- Irrigation
- Water transfer
- Pressure boosting

Key Features

- Twin impeller design
- Robust cast iron pump casing
- 240V 1-phase IP55 motor - made in Italy
- Inbuilt thermal protection
- Deep well injector
- Plug and Play leads
- Available as a pressure system or as a standalone bare pump
- 2 year warranty



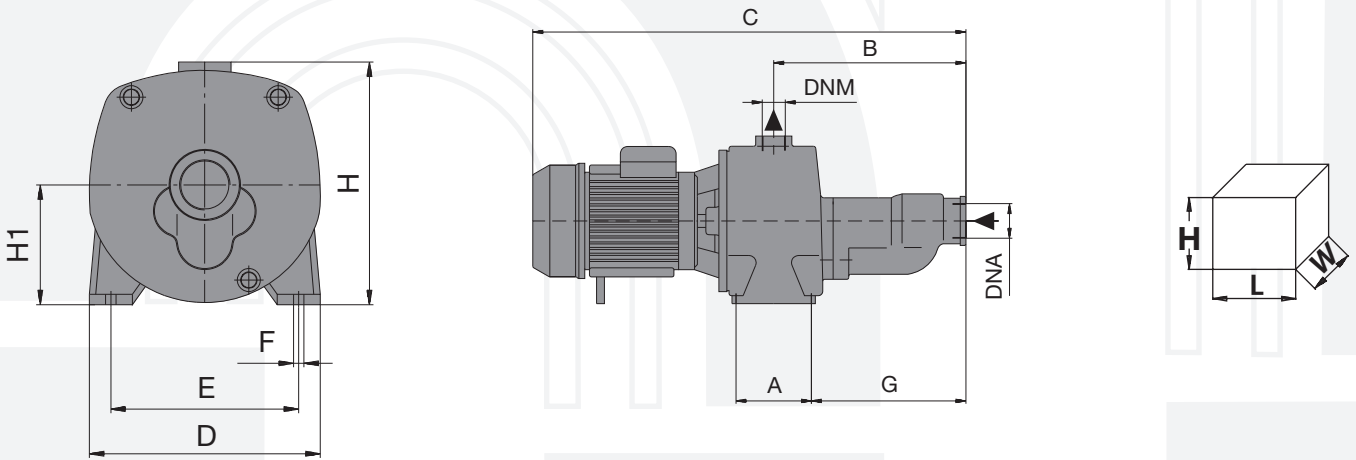
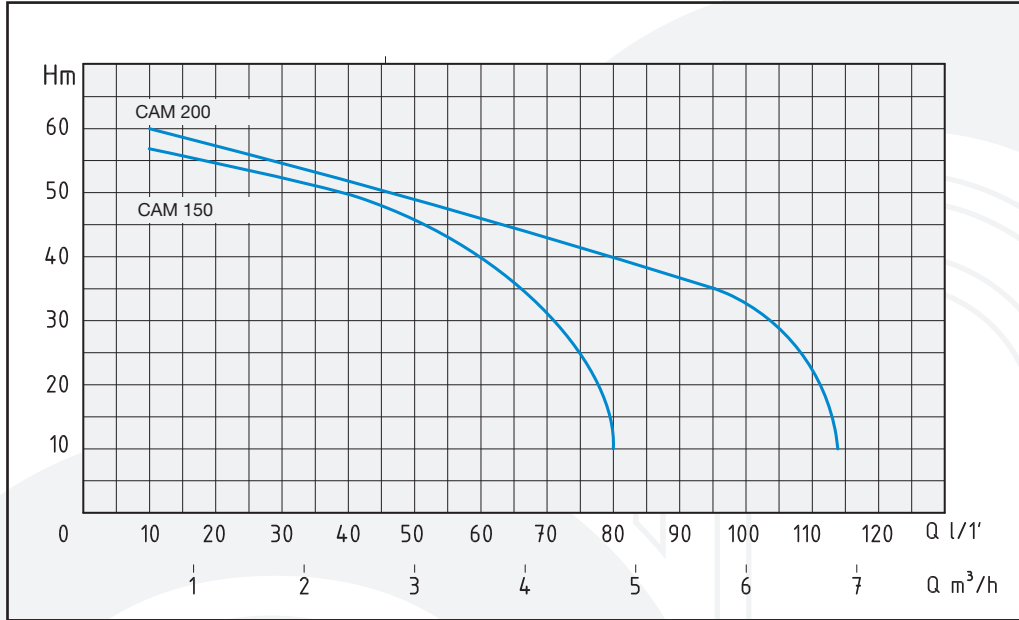
Twin Impeller

Also available as a pressure system

Pressure system includes either 8L or 18L pressure tank, pressure switch, pressure gauge and 5 way tee. Also available with the PresFlo PF1622 pressure controller or as a standalone bare pump.



Model	Nominal Power		Input Power	Amps	Q = Capacity										
	HP	kW	kW		m ³ /h	0,6	1,2	1,8	2,4	3	3,6	4,2	4,8	5,4	6
Single-phase	P2		P1	Single-phase	lt/1'	10	20	30	40	50	60	70	80	90	100
	Total head in meters w.c														
CAM 150	1,5	1,1	1,5	7	H (m)	58	55	52	49	45	40	30	10		
CAM 200	2	1,5	2,5	12	H (m)	60	57	55	52	49	45	43	40	38	34



Model	Dimensions mm											Dimensions mm			Weight Kg
	A	B	C	D	E	F	G	H	H1	DNA	DNM	W	L	H	
Single-phase															
CAM 150	104	265	605	220	172	10	212	240	115	1" ½	1"	234	606	280	29.8
CAM 200	104	265	605	220	172	10	212	240	115	1" ½	1"	234	606	280	30.8

Dealer Details