



→ polymaster.com.au/engineered-solutions

Diesel & AdBlue[®] Storage

- > 400LTR DIESEL CUBE
- > DIESEL UTE PACKS
- > DIESEL BUNDED TANKS
- > DIESEL BULK STORAGE
- > BULK TRANSFER UNITS
- > DIESEL TRANSFER TRAILERS
- > ACCESSORIES
- > ADBLUE[®] UTE PACKS
- > ADBLUE[®] BUNDED TANKS
- > ADBLUE[®] BULK STORAGE

Diesel Transfer Units

Dieselmaster® Sizes available 600-3000ltr

Bulk Transfer Tanks



STANDARD PUMP FEATURES:

- 45LPM, 12V
- 4 metre lead & hose
- Auto nozzle & swivel
- Range of 12 or 24V pump options available

REFER TO PRICE BOOK FOR DUAL VOLTAGE PUMP AND FAST-FLOW PUMP OPTIONS.

CODE	DESCRIPTION	DIMENSIONS (mm)	PUMP FLOW
DMP600	600L Tank with Standard 12V Pump	1200L x 1050W x 715H	45lpm
DMP800	800L Tank with Standard 12V Pump	1450L x 1200W x 740H	45lpm
DMP1200	1200L Tank with Standard 12V Pump	1450L x 1200W x 1000H	45lpm
DMP2000	2000L Tank with Standard 12V Pump	1900L x 1450W x 1100H	45lpm
DMP3000	3000L Tank with Standard 12V Pump	2100L x 1500W x 1200H	45lpm

Diesel Transfer Trailers



Diesel pump - with by-pass valve & integrated on/off switch voltage - 12v
flow rate - 85 l/min
duty cycle - 30mins

Hydraulic braking system (only on DMPFT1200)

50mm coupling

Trailer safety chain

Heavy duty jockey wheel

Auto shut off nozzle with 6m hose as standard

Battery leads - 4m

Mechanical digital fuel gauge (optional)

Breather vent

Certified diesel grade polyethylene tank

DMPT1200

Hot-dip galvanised trailer rated for gross weight
1200l - 2 Tones
2000l - 2.8 Tones

Hose reel diesel 25mm x 10m- retractable (optional)

Dual axle heavy duty suspension with 15" Land Cruiser rim and tyres (Optional off road tyres)

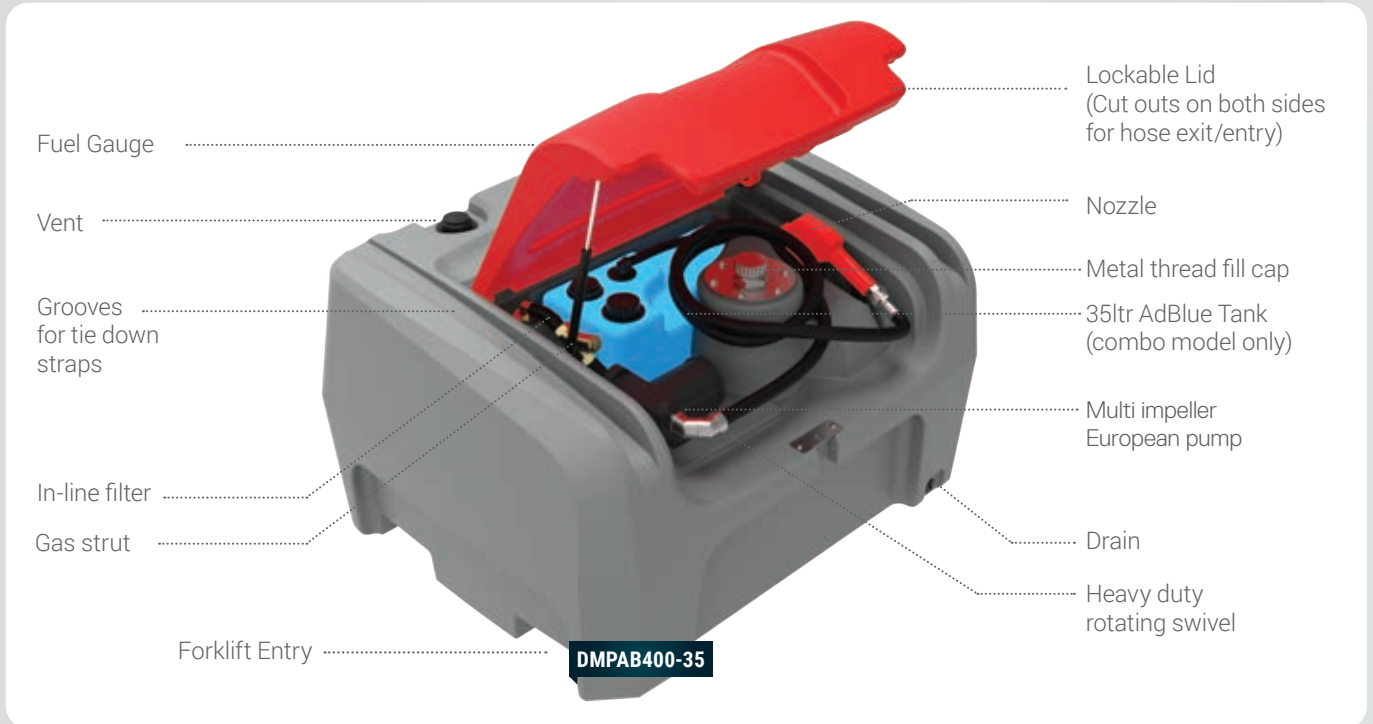
OPTIONAL SPARE WHEEL & MORE PUMP OPTIONS ALSO AVAILABLE

CODE	DESCRIPTION	DIMENSIONS (mm)	PUMP FLOW
DMPFT1200	1200L Tank with 12V fast-flow pump & galvanised trailer with hydraulic braking system	3940L x 1770W x 1500H	85lpm
DMPFT2000	2000L Tank with 12V fast-flow pump & galvanised trailer with electronic breakaway protection	4460L x 1970W x 1650H	85lpm

NEW

400ltr Diesel Cube Ute Packs

These units will fit in all the latest ute models... even twin cabs!



2 Models + Bund available to suit:

1. Diesel Cube



2. Diesel & AdBlue Combo Cube



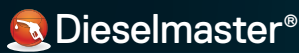
Get it bundled!

Bund suits both models



CODE	DESCRIPTION	DIMENSIONS (mm)
DMPQ400	400ltr Diesel Cube Ute Pack	1200W x 930L x 685H
DMPQB400	400ltr Diesel Cube Ute Pack - Bundled	1380W x 1130L x 832H
DMPAB400-35	400ltr Diesel + 35ltr AdBlue Combo Cube Ute Pack	1200W x 930L x 685H
DMPBAB400-35	400ltr Diesel 35ltr AdBlue Combo Cube Ute Pack - Bundled	1380W x 1130L x 832H

Diesel Ute Packs



TEST CERTIFICATE

These tanks were filled with Glycol and then frozen to -20°C before being extensively drop tested to pass the rigorous UN specifications.

CODE	DESCRIPTION	DIMENSIONS	PUMP FLOW
DMP100	100L Ute-Pack with 12V Pump	770L x 540W x 500H	40LPM
DMP200	200L Ute-Pack with 12V Pump	1050L x 750W x 600H	45LPM
DMP400	400L Ute-Pack with 12V Pump	1680L x 750W x 600H	45LPM
DMP600U	600L Ute-Pack with 12V Pump	1720L x 890W x 755H	45LPM
DMPD600U	600L Ute-Pack with 12/24V Dual Voltage Pump	1720L x 890W x 755H	35/75LPM
DMP800U	800L Ute-Pack with 12V Pump	1720L x 890W x 925H	45LPM
DMPD800U	800L Ute-Pack with 12/24V Dual Voltage Pump	1720L x 890W x 925H	35/75LPM



AdBlue Ute Packs also available. Call us on 1300 062 064.

12 Reasons to choose a Polymaster ute pack



31H2/Z/AUS/Polymaster
30659/0/553

Dangerous goods packaging approval road transport reform (dangerous goods) regulations
worksafe approval numbers 30659,30748 and 30943 for 100,200 & 400 ltr models only

LOCKABLE LID

IN-LINE FILTER

As the fuel leaves the tank to be pumped out, it passes through a filter. Any debris filtered out is captured in the filter container which can be unscrewed to empty.

MULTI IMPELLER EUROPEAN PUMP

These quality pumps feature an internal relief valve



SECONDARY HOLSTER

Temporarily lock in the nozzle between filling to keep it off the ground and out of the dirt.



HIGHEST GRADE MATERIAL

The premium European diesel-grade polymer gives the ute pack its raw strength.



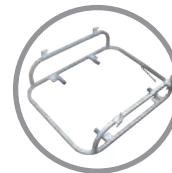
EXTRA WEAR PADS

Protecting the base from wearing, the wear pads also lock into the ute tray and raise the base, allowing air flow underneath to reduce moisture build-up and prevent rusting.



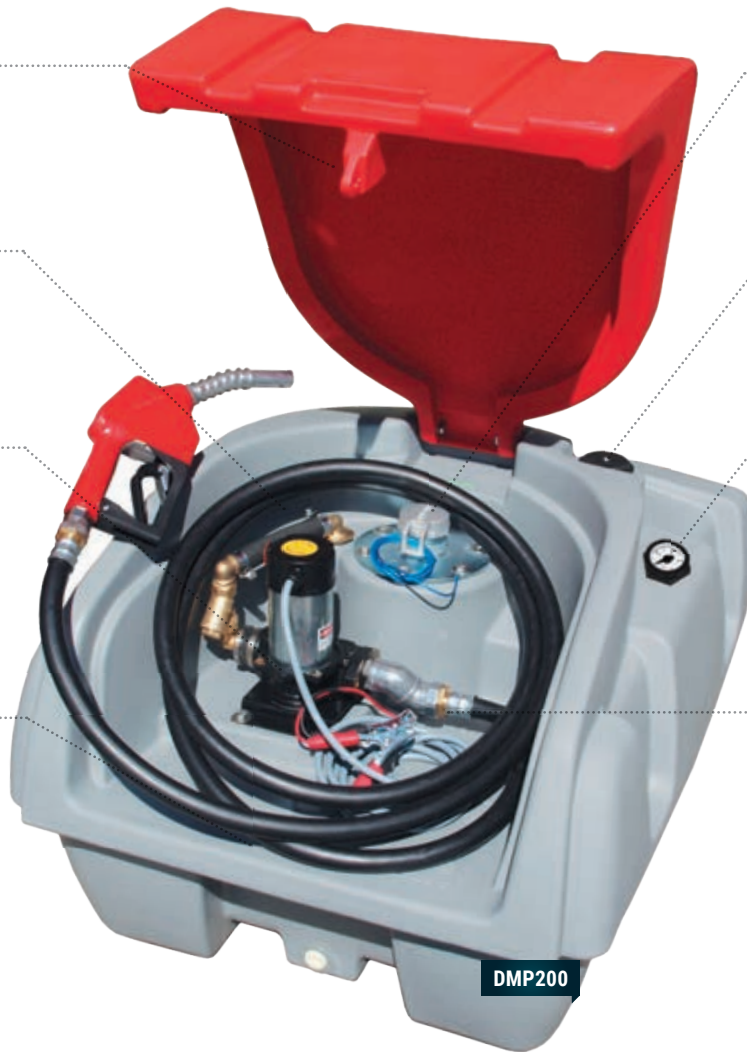
PRESSURE TESTED

Our pressure test is equal to taking our tanks to a depth of 5m under water.



PURPOSE BUILT FRAMES

These quality frames are ideal for mounting to any size ute tray, requiring no extra space. They are available to suit all ute pack sizes.



METAL THREAD FILL CAP

A metal fill point means you don't get wear and tear on the thread, so your cap seals tightly every time.

UNIQUE TWO-WAY BREATHER

Prevents diesel dripping out even if you turn the tank upside down.

FUEL GAUGE

Always know your fuel levels with this integrated level gauge.

HEAVY DUTY ROTATING SWIVEL

The twin zinc-plated brass swivel rotates to wherever you need to fill from, preventing hose kink.

DMP200

Diesel Bunded Tanks

NATIONWIDE DELIVERY

Delivery available throughout Australia including remote locations.



HIGHEST QUALITY

- Built Tuff using the highest quality European diesel-grade powder available in the world.
- Peace of mind with premium components: European pumps & bund alarm.
- Double Strength UV+ resistant material, to last longer in Australian conditions.
- Won't rust or rot, so it's suitable for coastal locations.



FULLY SELF-BUNDED

- Should there be a spill, we've got you covered. It's a tank within a tank providing 110% bund capacity. No need to build a concrete bund or go for an expensive steel option.



PORTABLE

- Just empty and relocate – it's that easy.



SAFE AND SECURE

- Personalised pump activation. Our MC box (Quantum model only) allows only authorised users to start the pump.
- Lockable cabinet safely houses all equipment and protects from the elements.



CUSTOMISE YOUR TANK

- We can tailor the tank to your requirements, such as supplying the tank with a camlock fitting to suit your tankers.
- 12V, 240V and solar options available to suit power connections at your location.



EASY INSTALLATION

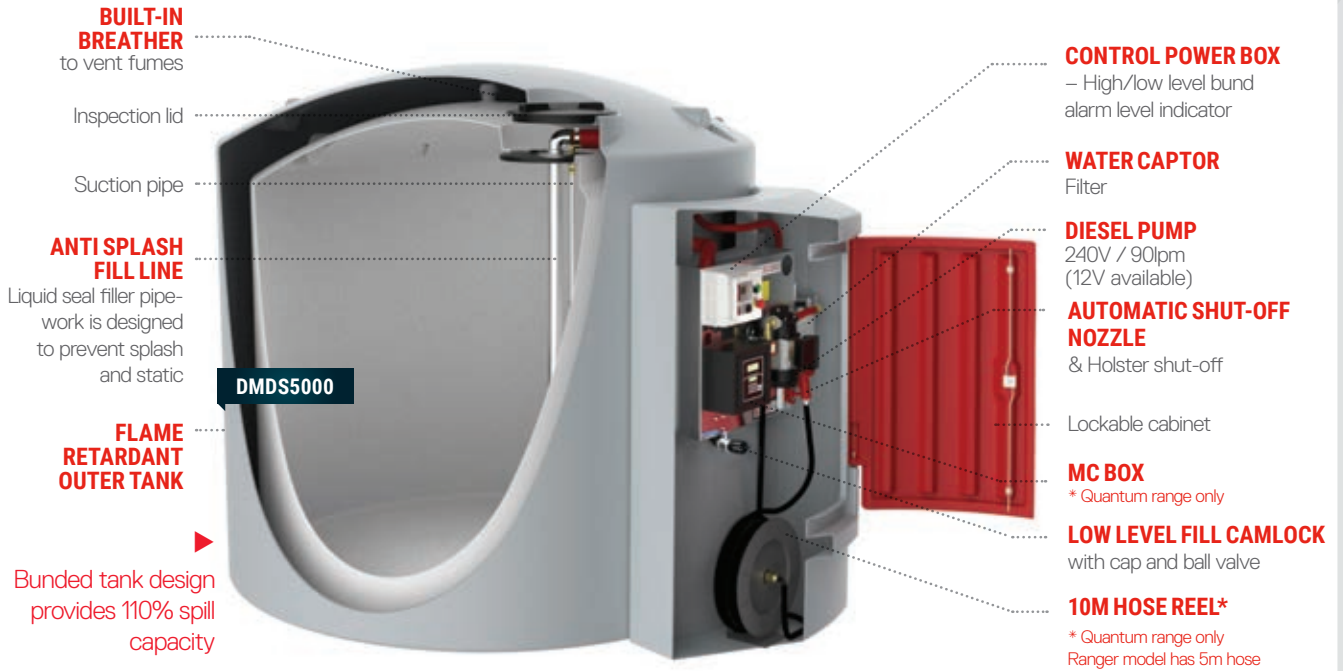
- Just power-up, earth and you're ready-to-go, saving you a huge amount of time and hassle.



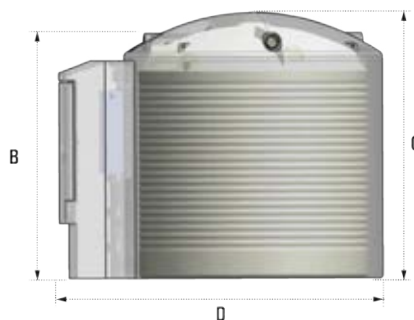
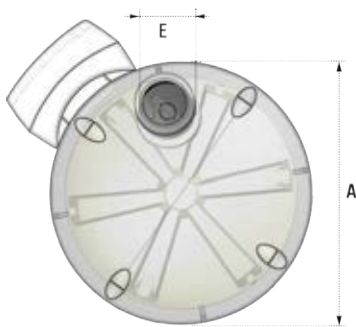
110% Bund Capacity

Built Tuff

Flame Retardant



THREE MODELS AVAILABLE: ESSENTIAL, RANGER & QUANTUM RANGES



Solar panel options available

CODE	CAPACITY (Ltrs)	A (mm)	B (mm)	C (mm)	D (mm)	E (mm)
DMDS2300	2300 L	1600	2160	2200	2120	490
DMDS3300	3300 L	1800	2130	2200	2330	490
DMDS5000	5000 L	2200	2080	2260	2750	490
DMDS7000	7000 L	2500	2190	2350	3070	500
DMDS10000	10,000 L	2500	2520	2710	3062	500

* Check with local authorities, as restrictions may apply.

Bulk Diesel Storage Tank

Ideal solution to use with existing bunds



BUILT USING DIESEL-GRADE POLYMER TO PROTECT AGAINST LEACHING, THIS HEAVY WEIGHT SINGLE SKIN STORAGE TANK IS IDEAL FOR AUSTRALIAN CONDITIONS.

The PE material is UV stabilised for longer life in Australia's harsh sun and is excellent for coastal locations as it will not rot or corrode.



- External Liquid Level Indicator
- SS Pipework
- 2" SS Camlock
- 2" Outlet and Ball Valve
- Earthing Rod
- Breather Vents
- Screw Lid - Inspection Hatch

CODE	CAPACITY	DIMENSIONS (mm)
DSW2000LGY	2000 ltr	1175 (D) x 2355 (H)
DSW4000LGY	4000 ltr	1600 (D) x 2300 (H)
DSW5000LGY	5000 ltr	1800 (D) x 2300 (H)
DSW7000LGY	7000 ltr	2200 (D) x 2300 (H)
DSW10000LGY	10,000 ltr	2480 (D) x 2450 (H)



Diesel level gauge



2" Outlet and Ball Valve



SS Pipework & 2" SS Camlock

Diesel Accessories

Basic Kit



- 40LPM 12V/140W/22A
- 2 meter lead
- 4 meter hose
- Manual nozzle

Standard Kit



- 45LPM 12V/150W/23A
- 4 meter lead and hose
- Auto nozzle & swivel
- Vertical mounted

Dual Voltage Kit



- 35LPM 12V/152W/42A
- 75LPM 24V/420W/25A
- 4 meter lead and hose
- Auto nozzle & swivel

Fast-Flow Kit



- 85LPM 12V/42A
- 4 meter lead and hose
- Auto nozzle & swivel

Diesel & AdBlue® Accessories

More accessories available! Talk to us 1800 062 064

Ute Pack Frames → To suit 100L - 800L ute packs

- Codes:
 → DM100MF
 → DM200MF
 → DM400MF
 → DM600MF
 → DM800MF



Refer to price book for details

*Design subject to change

Diesel Pulse meter



DPM

AdBlue Rotary Hand Pump



BDRHP-P

Diesel Rotary Hand Pump



DMHP

Diesel Auto Nozzle

Diesel Manual Nozzle

- Codes:
 → ATN65 - 65LPM
 → ATN90 - 90LPM



ATN90

MTN

AdBlue Auto Magnetic Lock-out Nozzle



BATN-P

AdBlue Manual Nozzle



BMTN-P

Diesel Filter



DCF25

Digital Turbine Meter



DMDT

4 Digit Mechanical Meter



DMM4

MC Box



MCHB

Keys

MCHKEYS



IBC Kit - 12V



B12K-P

IBC Kit - 240V



B240K-P

10m Hose Reel



DHR10M25

AdBlue® 20mm Retractable Hose Reel 8m



BMHR8-P

Standard Pump

→ 45LPM



DP45

AdBlue Hose reel



BMHRMP

100lpm diesel pump



DP100-240

AdBlue Pulse meter



BDM-P

Diesel Clock Level Gauge



CLG-D

Diesel Hoses

- Codes: → DH2025-4M
 → DH2025-6M
 → DH2020-4M
 → DH2020-6M



Reservoir Tank



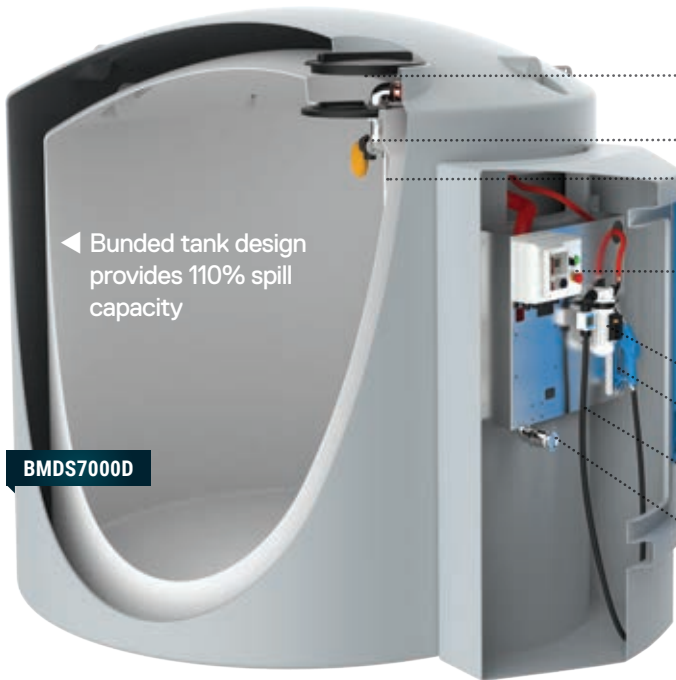
BMRT28P

AdBlue[®] Bunded Tanks



Bluemaster[®] This Self-Bunded Tank has a 110% bund capacity with a very small footprint

Bunded Station -Depot Range




◀ Bunded tank design provides 110% spill capacity

BMDS7000D

- Inspection lid
- JOBE valve set to 95% safe fill level
- Suction pipe
- Control power box
 - High/low level bund alarm
 - Level indicator
- 240V PIUSI pump
- Automatic nozzle & Holster shut-off
- Lockable cabinet
- 5m hose
- 2" S/S Dry break coupling

→ Other models available - ask us today!

 Equipment shown in diagram is not standard on all tanks. Positioning of equipment may vary depending on model of your Bluemaster[®] Station.

CODE	CAPACITY	DIMENSIONS (mm)
BMDS2300	2300 ltr	Ø 2120 x 1600W x 2200H
BMDS3300	3300 ltr	Ø 2330 x 1800W x 2200H
BMDS5000	5000 ltr	Ø 2750 x 2200W x 2260H
BMDS7000	7000 ltr	Ø 3070 x 2500W x 2350H
BMDS10000	10,000 ltr	Ø 3410 x 2830W x 2610H



Forecourt stations available - BMFS10000



AdBlue[®] Bulk Storage Tank

Efficient AdBlue[®] Storage



Designed and manufactured by Polymaster for Australian Conditions. Our PE material is UV stabilised for Australia's harsh sun so its suitable for coastal locations as well.



Adblue Level Gauge



SS Pipework & 2" SS Dry Break



2" Outlet and Ball Valve



BMS5000RPB

- External Liquid Level Indicator
- SS Pipework
- 2" SS Dry Break
- 2" Outlet and Ball Valve
- Earthing Rod
- Breather Vents
- Screw Lid - Inspection Hatch

Slimline Tanks



BMSL5000RPB

ROUND ADBLUE TANKS

CODE	CAPACITY	DIMENSIONS (mm)
BMS2000RPB	2000 ltr	1175 Dia x 2355H
BMS4000RPB	4000 ltr	1600 Dia x 2300H
BMS5000RPB	5000ltr	1800 Dia x 2300H
BMS7000RPB	7000 ltr	2200 Dia x 2300H
BMS10000RPB	10,000 ltr	2480 Dia x 2450H

SLIMLINE ADBLUE TANKS

CODE	CAPACITY	DIMENSIONS (mm)
BMSL2000RPB	2000 ltr	2590L x 750W x 2110H
BMSL3000RPB	3000 ltr	2870L x 940W x 2150H
BMSL5000RPB	5000 ltr	3590L x 1170W x 2110H



- 1300 062 064
- industrial.polymaster.com.au

Follow us  Polymaster Group

**Together we
hold the future.**