

## You can't beat the original, Philmac 3G Metric fittings

It couldn't be easier, simply slide the fitting on to square cut pipe and tighten the nut up against the flange for a reliable connection, everytime.

Philmac's range of Australian made 3G<sup>®</sup> metric compression fittings are the solution for the perfect connection every time thanks to Philmac's unique Slide and Tighten™ technology.

Each fitting is pre-assembled and ready to use so there's no need to disassemble the fittings or prepare the pipe prior to use. Simply cut the PE pipe square and slide it into the fitting until you feel the first point of resistance and then tighten the nut to the flange on the body of the fitting.

With Philmac's 3G<sup>®</sup> metric compression fittings, just slide and tighten and the job's done!



### Philmac Pty Ltd

ABN: 17 007 873 047

47-59 Deeds Road  
North Plympton, South Australia  
AUSTRALIA 5037

#### CUSTOMER SERVICE

Ph: 1800 755 899

[philmac.com.au](http://philmac.com.au)

**Philmac**

The connection you can trust.

**Philmac**

The connection you can trust.

# 3G Metric Fittings

## YOU CAN'T BEAT THE ORIGINAL

Simply, Slide and Tighten  
for a reliable connection  
you can trust



## You benefit with Philmac 3G Metric fittings

- Ease of use with Slide and Tighten™ technology
- No loose components
- Outstanding impact, UV and corrosion resistance
- Body can be interchanged with Philmac Rural and EasyLOK fittings
- Easy disassembly
- Designed for minimal pipe twist
- Compact, ideally suited to tight spaces
- StandardsMark and WaterMark approved





## Benefits

### No loose components

Grip ring and seal remain captive in the body when the nut is removed.

### Interchangeability

Rural, Safelok® and 3G® Metric components are all interchangeable as they share a common body.

### Made from Advanced Materials

The fitting is manufactured from lightweight, high performance thermoplastic materials with outstanding impact, UV and corrosion resistance. The materials used are non-toxic and taint free.

### Slide and Tighten™

Incorporating all the benefits of Slide and Tighten™ technology with 100% positive feedback.

### Disassembly

The fitting has been designed so the grip ring is released as the nut is backed off, enabling the pipe to be simply pulled out of the fitting.

### Compact Size

The size of Metric fittings has been kept to a minimum making this fitting ideal to use in compact spaces.

### Minimal pipe twist

The fitting is designed to minimise pipe twist, reducing the risk of loosening joints.

### Visual stop

The flange on the body of the fitting acts as a visual cue to indicate when the nut is fully tightened. Once the nut touches the flange on the body, the fitting is in a fully tightened state.

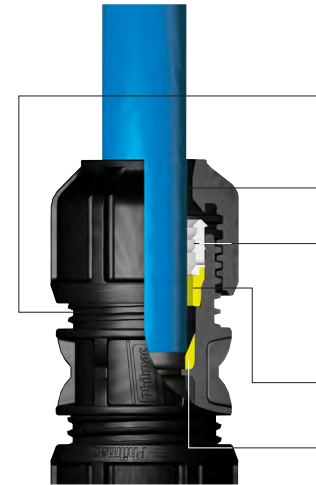


## How it works

### PRINCIPALS OF OPERATION - COMPRESSION FITTINGS



#### FULLY OPEN - METRIC COMPRESSION



Fitting is pre-assembled ready to use in the open position with 2 threads showing.

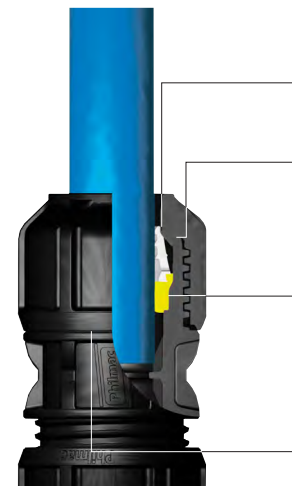
Clearance between the pipe and fitting allows for easy insertion of the pipe.

Collet, which is in relaxed position.

Seal, which is in relaxed position.

The pipe sits against the tapered wedges which minimises pipe rotation.

#### FULLY CLOSED - METRIC COMPRESSION



Collet bites into the pipe providing end load resistance.

Positive internal stop when the nut meets the flange of the body.

Seal compression is achieved by exploiting the mechanical advantage of the nut thread.

Installation is complete when the nut is tightened to the flange

## Easy Installation



Cut the pipe square, there is no need to chamfer or lubricate the pipe.



Ensure 2 threads are showing and simply slide the pipe in until the first point of resistance is felt.



Tighten the nut by hand to the point where the nut is touching the flange on the body of the fitting. Do not tighten beyond this point.



Fittings 32mm to 63mm may require the use of a wrench or multi-grips to tighten the nut so it is touching the flange.

## Complete Range

Choose from a wide selection of fittings (from 16mm to 63mm) including straight and reducing joiners and tees, elbows, end connectors, caps and blanking plugs.

