

# INTELLIMASTER DUAL BOOSTER

DUAL PUMP SETUP THAT UTILISES ADVANCED  
VARIABLE SPEED TECHNOLOGY



## KEY FEATURES

- Seamless installation with plug-and-play convenience
- Dry run protection to safeguard your pump from potential damage
- With Cascade Control, the second pump seamlessly adjusts its motor speed according to demand, optimizing efficiency
- Alternating start-up functionality, promoting balanced wear and tear across pumps for extended longevity

# INTELLIMASTER DUAL BOOSTER

## FEATURES AND BENEFITS

- Experience seamless installation with our all-in-one solution, designed for plug-and-play convenience
- 304 stainless steel manifolds and base to offer greater robustness and durability
- Variable speed capabilities for constant pressure application, along with dry running protection to safeguard your pump from potential damage
- With Cascade Control, the second pump seamlessly adjusts its motor speed according to demand, optimizing efficiency
- Alternating start-up functionality, promoting balanced wear and tear across pumps for extended longevity

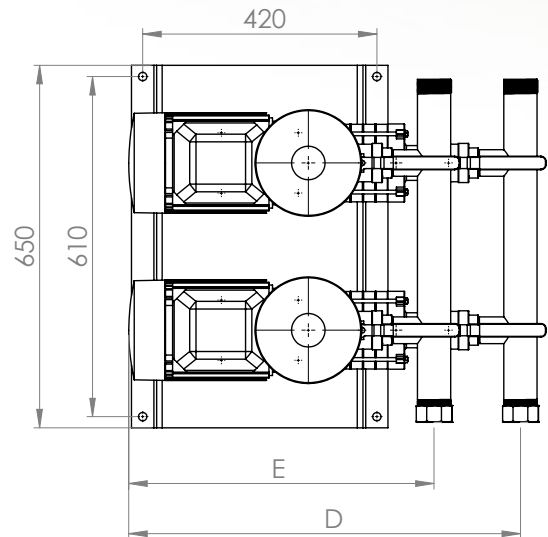
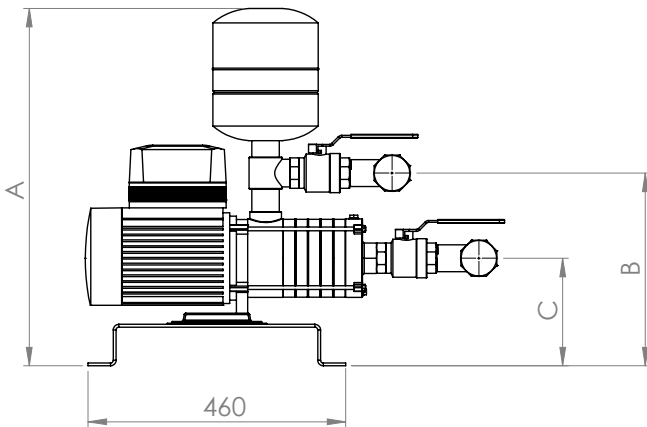
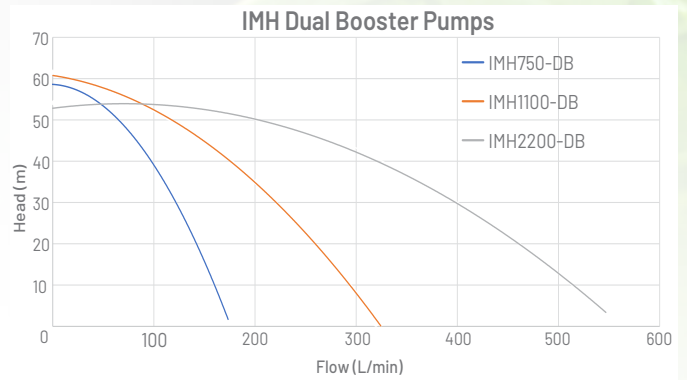
## OPERATING CONDITIONS

Suitable for pumping clean non-aggressive liquids without solids or fibres in suspension.

Fluid	: Water
Max Water Temperature	: 40°C
Min Water Temperature	: 1°C
Max Ambient Temperature	: 40°C
Max Working Pressure	: 700kPa



## PERFORMANCE



PART NUMBERS	A	B	C	D	E	Manifold (Inlet)	Manifold (Outlet)
IMH750-DB	665mm	350mm	175mm	630mm	535mm	1 ½"	1 ½"
IMH1100-DB	670mm	357mm	180mm	720mm	540mm	2"	1 ½"
IMH2200-DB	705mm	395mm	185mm	725mm	555mm	2"	2"



1-21 Monash Drive | Dandenong South, VIC 3175 | Australia | 1300 137 344 | pentair.com.au

Information contained here-in remains the property of Pentair Australia Holdings Pty Ltd under Australian copyright law. Content may not be reproduced or transmitted without our prior written permission.

Disclaimer: Pentair reserves the right to change product specifications and products details. Product images are for reference purposes only and may not represent the actual/current product.

©2024 Pentair. All rights reserved.