



VNQP 5" SERIES

CONSTANT PRESSURE SUBMERSIBLE PUMP



MOVING WATER. MOVING ENERGY.
MOVING FORWARD.





VNQP 5" SERIES

CONSTANT PRESSURE SUBMERSIBLE PUMP
ETH10550556-MN15


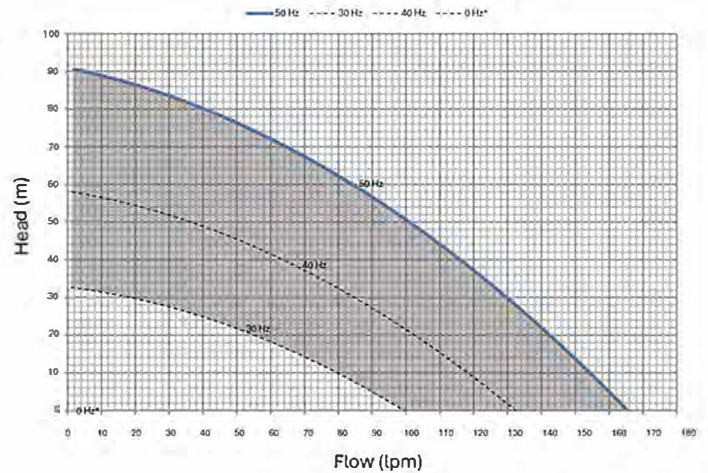
APPLICATIONS

- Household water supply
- Water Transfer
- Sprinkler Systems
- Industrial Applications
- Rainwater
- Wash Down Units
- Commercial Water Features
- Underground and Aboveground Tanks

FEATURES




- Variable speed operation, ideal for house supply and energy saving
- Stainless steel on all hydraulic components
- Includes DrivE-Tech MINI VFD pump controller in an IP54 enclosure, VN5/08 1.5 kW Submersible Pump, 8L pressure tank, 32 mm stainless steel manifold, 32mm check valve and pressure gauge
- 240V, one-phase input power, 11 amps max.
- Silent operation
- Perfect for underground tanks
- Double mechanical seal in oil bath
- Vertical or horizontal installation
- 20m pump power lead
- Max. immersion depth 20m
- Max. ambient temperature 40°C
- Easy maintenance
- Made in Italy by Franklin Electric

VN5-8 Performance Curves

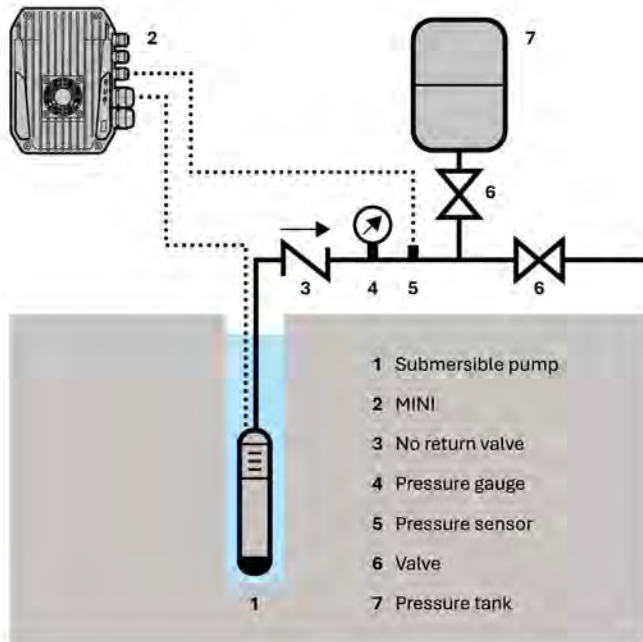


The UnyConnect Mobile App includes all features of the current FE Connect DrivE-Tech Mobile App and expands them to better support you in installing, commissioning, troubleshooting and monitoring your surface and submersible pump application powered with a DrivE-Tech variable frequency drive.

The UnyConnect Mobile App is available in iOS App Store and Android Google Play Store.

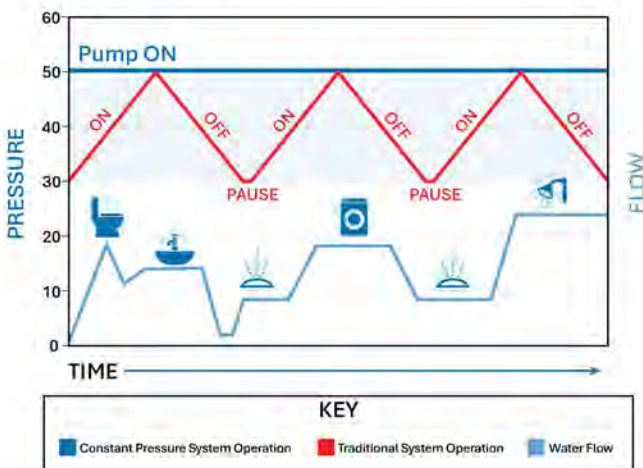


SYSTEM DIAGRAM

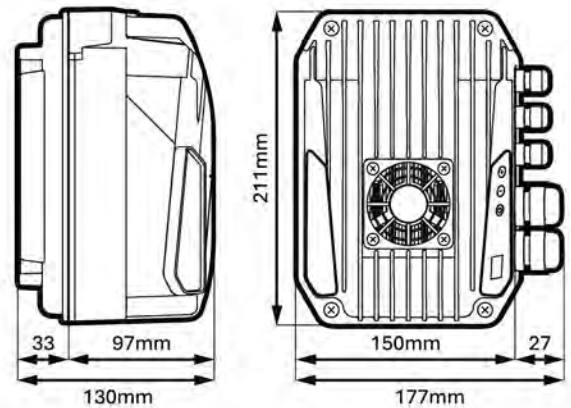


WHAT IS A CONSTANT PRESSURE SYSTEM?

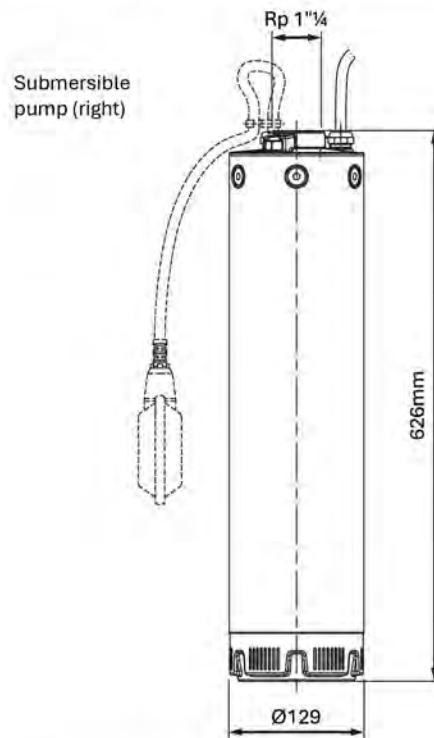
A constant pressure system delivers the water experience users want, how and when they want it: consistently and reliably. Constant pressure systems accommodate a range of flow demands so homeowners and end users can consistently get the water delivery they expect, even if their usage fluctuates. In comparison to a traditional water system, where water pressure decreases as water demand changes, a constant pressure system eliminates these pressure fluctuations -- no matter how many faucets or water appliances you need to run at the same time.



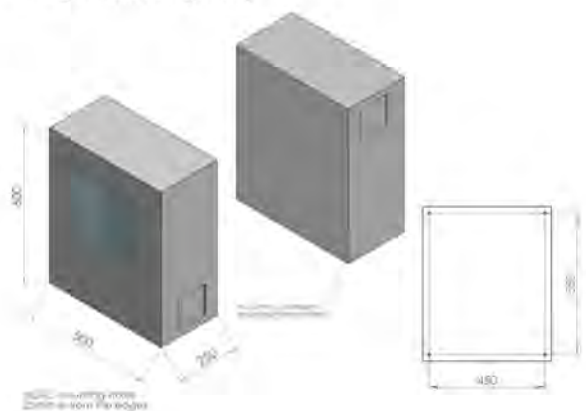
OUTLINE DIMENSIONS



Drive-Tech MINI VFD pump controller (above)



VNQP enclosure (below)





Franklin Electric

franklin-electric.com.au

106-110 Micro Cct, Dandenong South VIC 3175
Tel: (03) 9799 5000
Fax: (03) 9799 5050

VN-MN 5" Series
Constant Pressure Submersible Household Pump
Product Brochure_V1.0_11-24