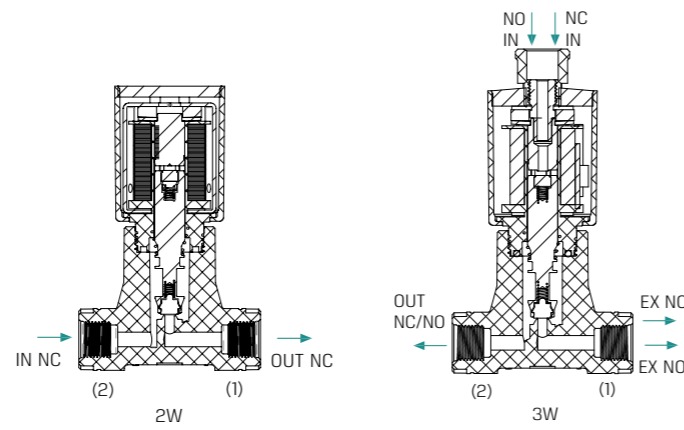


SOLENOID VALVES

G75-A3P | 1/8" Latch 2 Way, 3 Way NC, NO



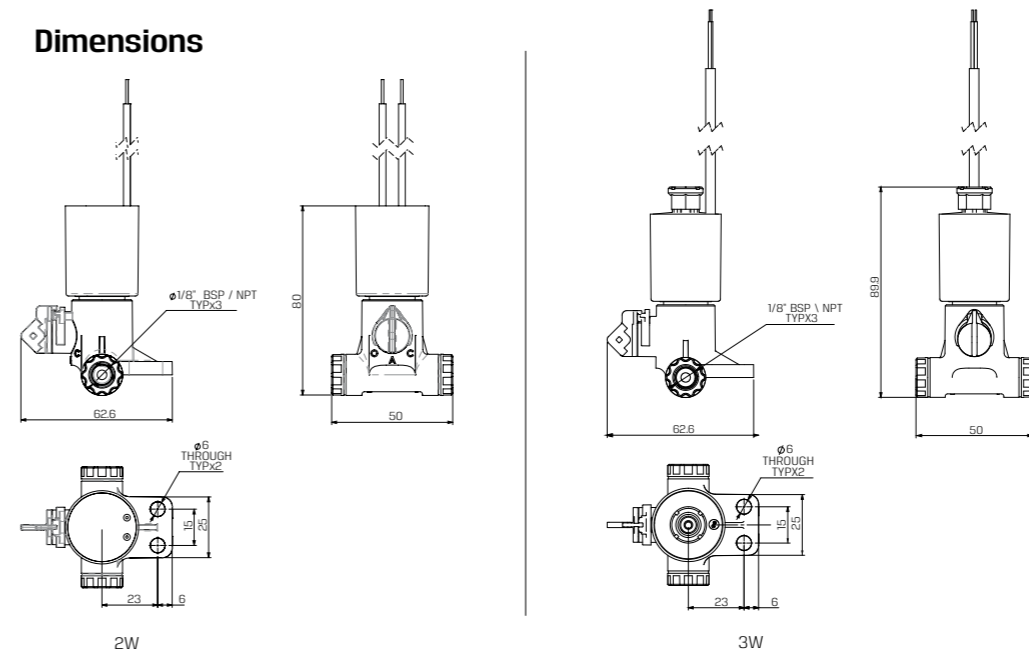
Technical Data

| | |
|---------------------------------|---|
| Function | 2 Way NC, 3 Way NC, NO |
| Ports size | 1/8" BSP & NPT |
| Orifice size | 2.6 mm |
| Pressure range | NC 2 Way : 10 bar NC 3 Way : 8 bar NO 3 Way : 10 bar |
| Temperature range | Fluid : 5°C to 50°C (no freezing) Ambient : 10°C to 50°C |
| Materials in contact with media | Manual override: Plastic Main Valve: UV Stabilized - Reinforced Nylon 6 30% GF Solenoid Operator: Stainless Steel AISI 300 & 400 series Seals: NBR |
| Mounting | 2 x Ø6 mm holes |
| Manual override | 3 positions (Open/Auto/Close) |
| Media | Air, water |
| Coil voltage | Latch |
| Switching time | 40-60 msec |
| Electric connection | 22AWG cable |
| Standard protection class | IP66 |

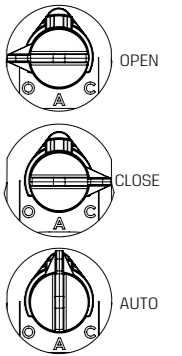
* Can **only** be operated with supplied coil

G75-A3P | 1/8" Latch 2 Way, 3 Way NC, NO

Dimensions



Manual Override Operation



To manually open the valve :
turn selector switch to OPEN

NO : To change from OPEN to AUTO:
turn the selector switch to AUTO

NC : To change from OPEN to AUTO:
turn the selector switch to CLOSE,
and then to AUTO

How to Order

| G75-A3P | - | TYPE | PORT | FUNCTION | ORIFICE | - | LATCH TYPE ⁽¹⁾ | WIRES | | | | | |
|---------|---|-------------|------|----------|---------|-------|---------------------------|-------|----|----|----|-------|------|
| | | with flange | 1 | 1/8" BSP | 10 | 2W NC | 1 | 2.6 | 5a | 1Ω | PA | two | Null |
| | | | | 1/8" NPT | 11 | 3W NC | 3 | | | 4Ω | PB | three | a |
| | | | | | | 3W NO | 4 | | | | | | |

Coil resistance vs input voltage range

| Resistance [Ω] | Suitable input voltage range [V] |
|----------------|----------------------------------|
| 1 | 8 - 12 |
| 4 | 12 - 18 |

Example : G75-A3P-11015a-PA

G75-A3P, with flange, 1/8" BSP, 2W NC, 2.6 orifice, 1Ω latch with two wires

G75-A3P - 1 10 1 5a - PA

(1) Refer to coil resistance vs input voltage table

* To order valves manufactured according to your specific requirements, please contact our technical sales department