

PVC SINGLE END CAP SERIES BALL VALVES



Edition: 202312.WIP

The Single Removable End Cap Series, ½" (15mm) to 4" (100mm), sets the standard as the latest design available in the market for PVC Ball Valves. The 6" (150mm) valve range has fixed end caps.

Exclusively distributed throughout Australia by AAP Industries, its modern ergonomic design reflects the latest in valve technology, incorporating a removable end cap assembly that enables serviceability, when compared to the standard compact PVC Ball Valves.



Key Features

- Removable end cap for serviceability
- Removable and reversible ergonomic handle for maintenance and security
- ABS - a high impact resistant material, is used in the handle
- Aesthetic design
- PVC conforming to ASTM 1784 Cell Classification 12454-A
- Complies to ISO9393-2:2005 - Thermoplastic Valves for Industrial Applications
- Individual box packaging from ½" to 2"
- 100% pressure tested

Materials

Body: PVC
Seat: TPE
O-ring: EPDM
Handle: ABS
Ball: PVC
Stem: PVC

Range

½" (15mm) to 4" (100mm) - single removable end cap
NB. the 6" (150mm) valve range has fixed end caps

Standard stock items

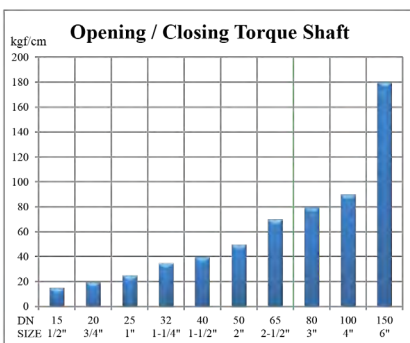
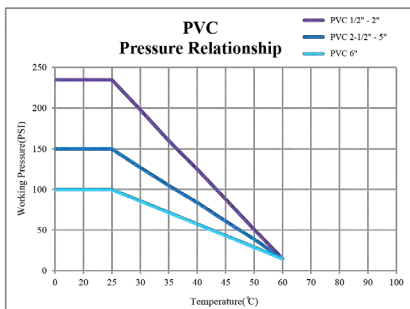
Female Socket x Female Socket
Female BSPT threaded x Female BSPT threaded

Standards

Socket: ASTM
Thread: BSPT

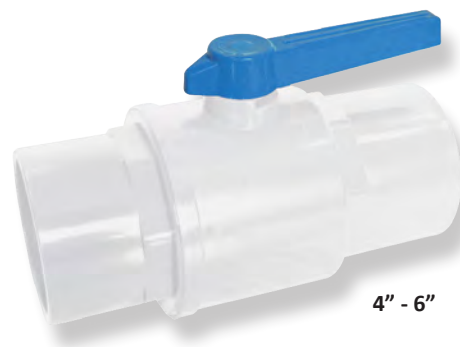
Cv Factors

Valve size	½"	¾"	1"	1 ¼"	1 ½"	2"	3"	4"	6"
Factor	12	32	52	84	138	235	516	864	1,320



Pressure Loss Calculation Formula

$$\Delta P = \left[\frac{Q}{Cv} \right]^2 \quad \begin{array}{l} \Delta P = \text{Pressure Drop} \\ Q = \text{Flow in GPM} \\ Cv = \text{Flow Coefficient} \end{array}$$



AAP SYDNEY
AAP BRISBANE
AAP MELBOURNE

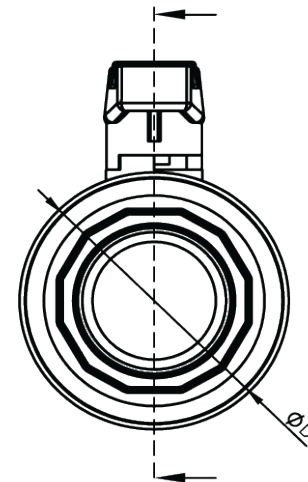
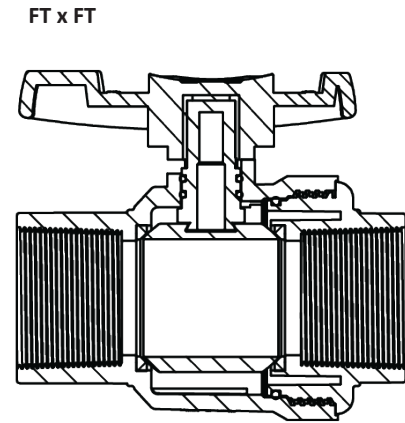
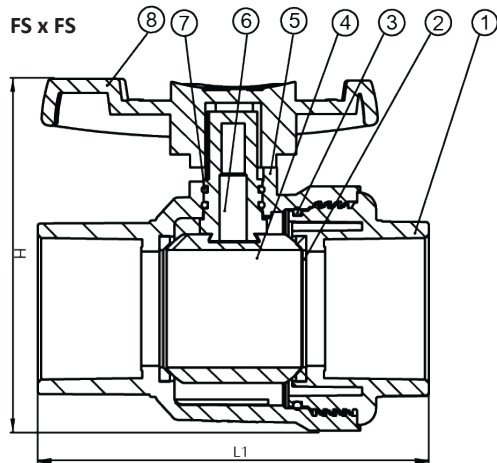
AAP ADELAIDE
AAP PERTH
AAP TOWNSVILLE

aapindustries.com.au



PVC SINGLE END CAP SERIES BALL VALVES

Edition: 202312.WIP



NO.	PART NAME	MATERIALS	PCS
1	END CONNECTOR	PVC	1
2	SEAT	TPE	2
3	O-RING	EPDM	1
4	BALL	PVC	1
5	BODY	PVC	1
6	STEM	PVC	1
7	O-RING	EPDM	2
8	HANDLE	ABS	1

Tolerance $\pm 5\%$

PART NO		SIZE		H	L1	ϕD	BSPT
Socket	Threaded	Inch	DN (mm)	mm	mm	mm	thd/in
VPVC15S	VPVC15	1/2"	15	79	85	48	14
VPVC20S	VPVC20	3/4"	20	86	98	55	14
VPVC25S	VPVC25	1"	25	96	111	64	11
VPVC32S	VPVC32	1 1/4"	32	113	125	77	11
VPVC40S	VPVC40	1 1/2"	40	130	143	88	11
VPVC50S	VPVC50	2"	50	151	168	105	11
VPVC80S	VPVC80	3"	80	199	271	152	11
VPVC94S	VPVC94	4"	100	235	344	180	11
VPVC150S	VPVC150	6"	150	300	471	237	11

FS - Female Socket

FT - Female Threaded (BSPT)

AAP SYDNEY
AAP BRISBANE
AAP MELBOURNE

AAP ADELAIDE
AAP PERTH
AAP TOWNSVILLE

aapindustries.com.au