

304 STAINLESS STEEL WORM DRIVE HOSE CLAMP

KALE Worm Drive Clamps are produced in Europe in accordance to DIN 3017 and OEM standards suitable for a wide range of applications and environments.

The unique compact design sets the KALE clamp apart from its competitors, offering superior strength, performance and durability together with easy assembly.

Produced in all stainless W4 (304) material ranging from 8-12mm through to 140-160mm, with larger dimensions on request. Suits a wide range of applications and industries:

- Agriculture
- Automotive
- Marine
- Mining
- Plumbing
- OEMs

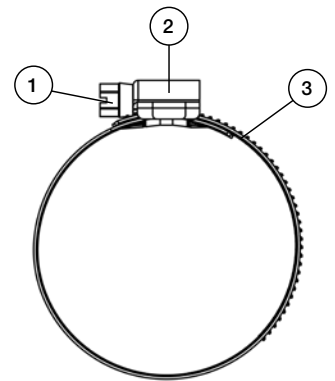
Features include:

- Compact screw and housing design integrates seamlessly with the band providing sealing across 360° with no flat spots
- Strong and durable single piece mechanically locked housing (no welding or interlocking)
- Standard 7mm hex across all dimensions, assembly with socket or screwdriver
- Burr free convex rolled band edges to protect the hose from cutting or damage
- Solid band without perforations avoids hose damage including shredding and cutting by sharp edges
- High clamping force with low tightening torque
- Band stamped with size range and housing with lot number, providing full batch traceability



Part	Name	W4 Material
1	Screw	Stainless Steel 1.4567*
2	Housing	Stainless Steel 1.4301
3	Band	Stainless Steel 1.4301

* Tin Plated



AAP SYDNEY
AAP BRISBANE
AAP MELBOURNE

AAP ADELAIDE
AAP PERTH
AAP TOWNSVILLE

aapindustries.com.au



304 STAINLESS STEEL T-BOLT HOSE CLAMP

KALE HD T-Bolt clamps are manufactured utilising TOX®-Clinching joints. A cold forming press technique that is more than 70% stronger than welding and superior to tab style mechanical locks.

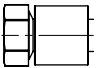
Produced in Europe to DIN 3017-3 standards, KALE HD T-Bolt clamps are suitable for high shore hardness or reinforced hoses.

Available in W4 in sizes ranging from 17-19mm through to 239-252mm, typical applications include suction and pump hoses across a wide range of industries:

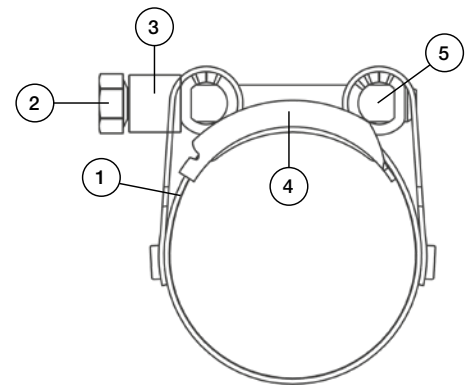
- Agriculture
- Automotive
- Marine
- Mining
- Plumbing
- OEMs

Additional design features include:

- No welding and no contact corrosion points
- Hollow 'D' shape trunnions to reduce tensile force on the bolt and clinched joint
- A profiled bridge with extended tabs for secure attachment to the band without welding
- W4 hi-tensile stainless steel bolts are additionally tinned to prevent gawling
- Rolled band edges which are designed to protect damage to the hose or wall fabric
- A high clamping force with low free torque value

Part	Name	W4 Material
1	Band	Stainless Steel 1.4301
2	Bolt	ISO 3506-1 Class A2-70*
3	Bush	Stainless Steel 1.4301
4	Bridge	Stainless Steel 1.4301
5	Trunnion	Stainless Steel 1.4301
Corrosion Resistance acc. to ISO 9227		Min. 240 hours
Bolt Head		

* Tin Plated



AAP SYDNEY
AAP BRISBANE
AAP MELBOURNE

AAP ADELAIDE
AAP PERTH
AAP TOWNSVILLE

aapindustries.com.au

